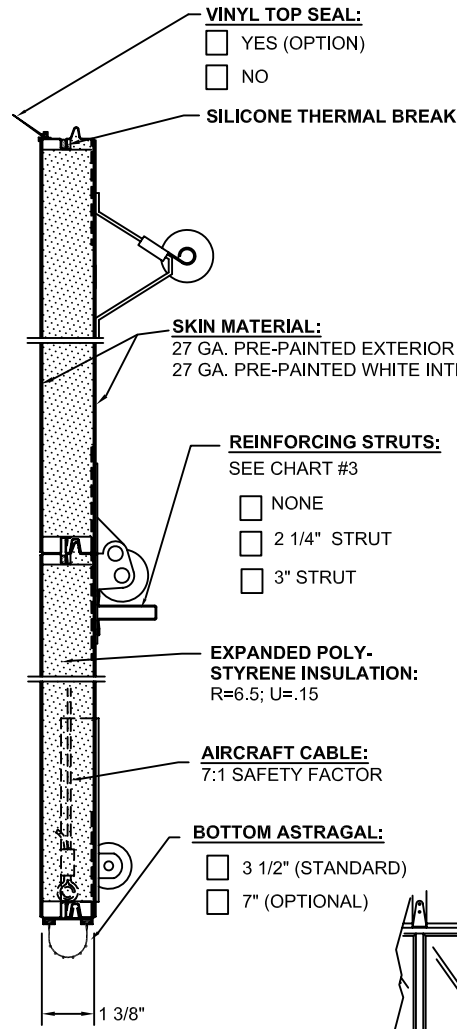


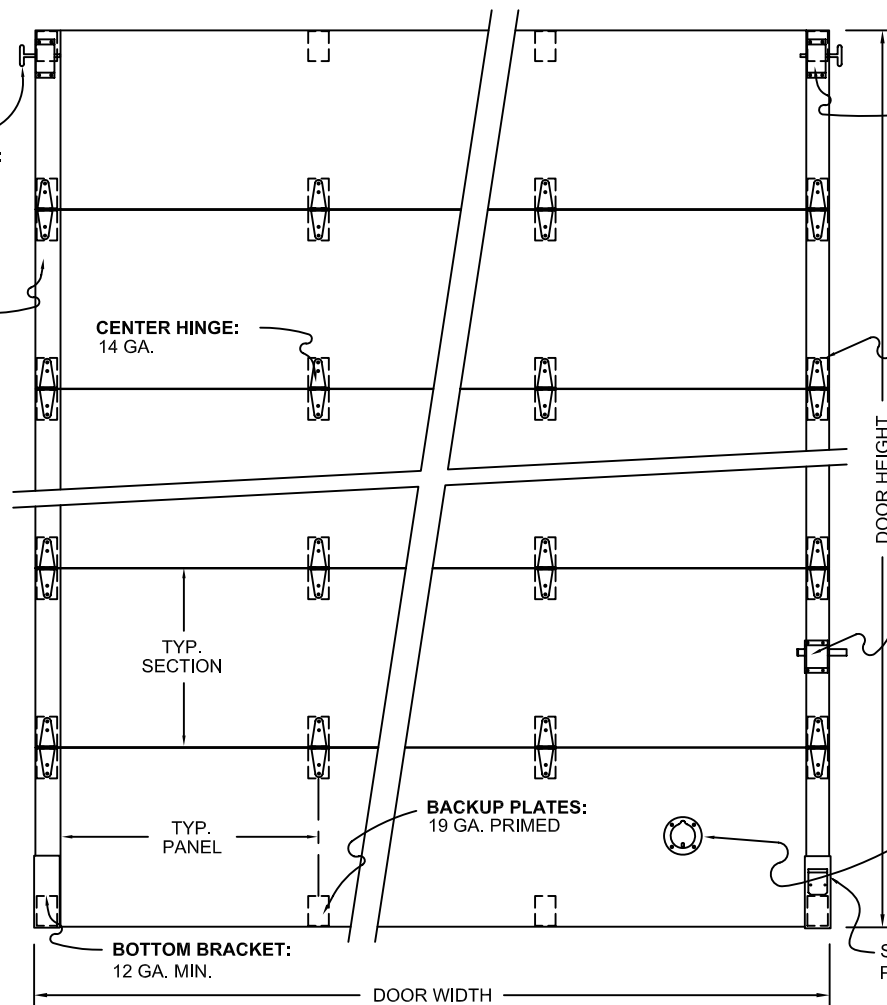
MODEL #: 3150

SECTION TYPE:
TONGUE & GROOVE



**STEEL BALL
BEARING ROLLER:**

END STILES:
 20 GA.
 PRE-PAINTED

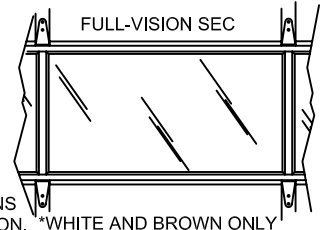


TOP BRACKET:
 12 GA.

- EXTERIOR COLOR**
- WHITE
 - BROWN
 - TAN
 - GRAY

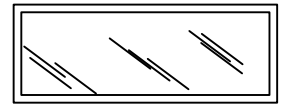
- LOCK:**
- #2 END STILE
 - #3 CYLINDER LOCK - LOCATED IN FIRST CENTER HINGE TO RIGHT (ILO)
 - NONE

- EXHAUST PORT:**
- LEFT 3"
 - RIGHT 4"
 - CENTER
 - NONE



NOTE: FULL-VISION SECTION AVAILABLE FOR ALL SECTIONS EXCEPT THE BOTTOM SECTION. *WHITE AND BROWN ONLY

- FULL-VISION SECTIONS:**
 THRU 18'2" WIDE
- 1/8" DSB
 - 1/4" POLYCARBONATE
 - 1/2" INSULATED
 - 1/2" INSULATED & TEMPERED



WINDOW FRAME CONSIST OF AN EXTERIOR FRAME AND AN INTERIOR RETAINER, MADE OF CELLULAR PVC EXTRUSIONS.

- WINDOW SIZE
AVAILABILITY:**
- 24" x 8"
 - 24" x 12"

- GLAZING:**
- SOLID - NO GLAZING
 - 1/2" INSULATED DSB
 - 1/2" INSULATED TEMPERED



CUST:	MODEL #: 3150	QTY:	# OF SECTIONS HIGH (SEE TABLE #1)	SECTIONS TO GLAZE:	SHEET 'M-8R' DATE: _____ BID #: _____ PAGE _____ of _____
JOB:	DOOR WIDTH:				
ARCH:	DOOR HEIGHT:	# OF PANELS WIDE (SEE TABLE #2)	PANELS TO GLAZE:		
CONT:					

MODEL # 3150

**TABLE #1
SECTION CHART**

DOOR HEIGHT	NUMBER OF SECTIONS
6'0"	3
6'3" - 8'0"	4
8'3" - 10'0"	5
10'3" - 12'0"	6
12'3" - 14'0"	7
14'3" - 16'0"	8

**TABLE #2
PANEL CHART**

DOOR WIDTH	NUMBER OF PANELS
7'0" - 9'2"	2
9'4" - 13'2"	3
13'4" - 16'2"	4
16'4" - 20'2"	5

**TABLE #3
LITE AVAILABILITY CHART**

DOOR WIDTH	MAX LITES PER SECTION
7'0" - 9'2"	2
9'4" - 13'2"	3
13'4" - 16'2"	4
*16'4" - 20'2"	5

* 24" x 8" ONLY

**TABLE #4
REINFORCEMENT CHART**

DOOR WIDTH	DOOR HEIGHT		
	UP TO 10'0"	10'3"-14'0"	14'3"-16'0"
UP to 14'2"	NONE	NONE	NONE
14'4" to 16'2"	3 ea. 2-1/4"	4 ea. 2-1/4"	5 ea. 2-1/4"
16'4" to 18'2"	3 ea. 3"	4 ea. 3"	5 ea. 3"

* FOR FULL VISION SECTION REINFORCEMENT SEE MODEL 903.